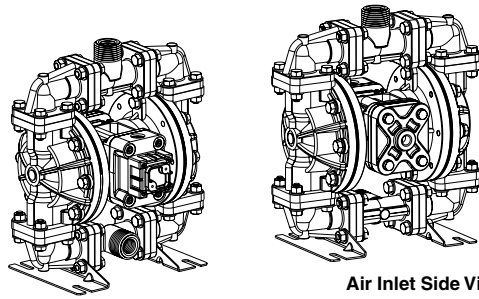


**WARREN
RUPP®**

Quality System
ISO9001 Certified

Environmental
Management System
ISO14001 Certified

IDEX
IDEX CORPORATION



Air Exhaust Side View

Air Inlet Side View

U.S. Patent #5,996,627; 6,241,487
Other U.S. Patents Applied for



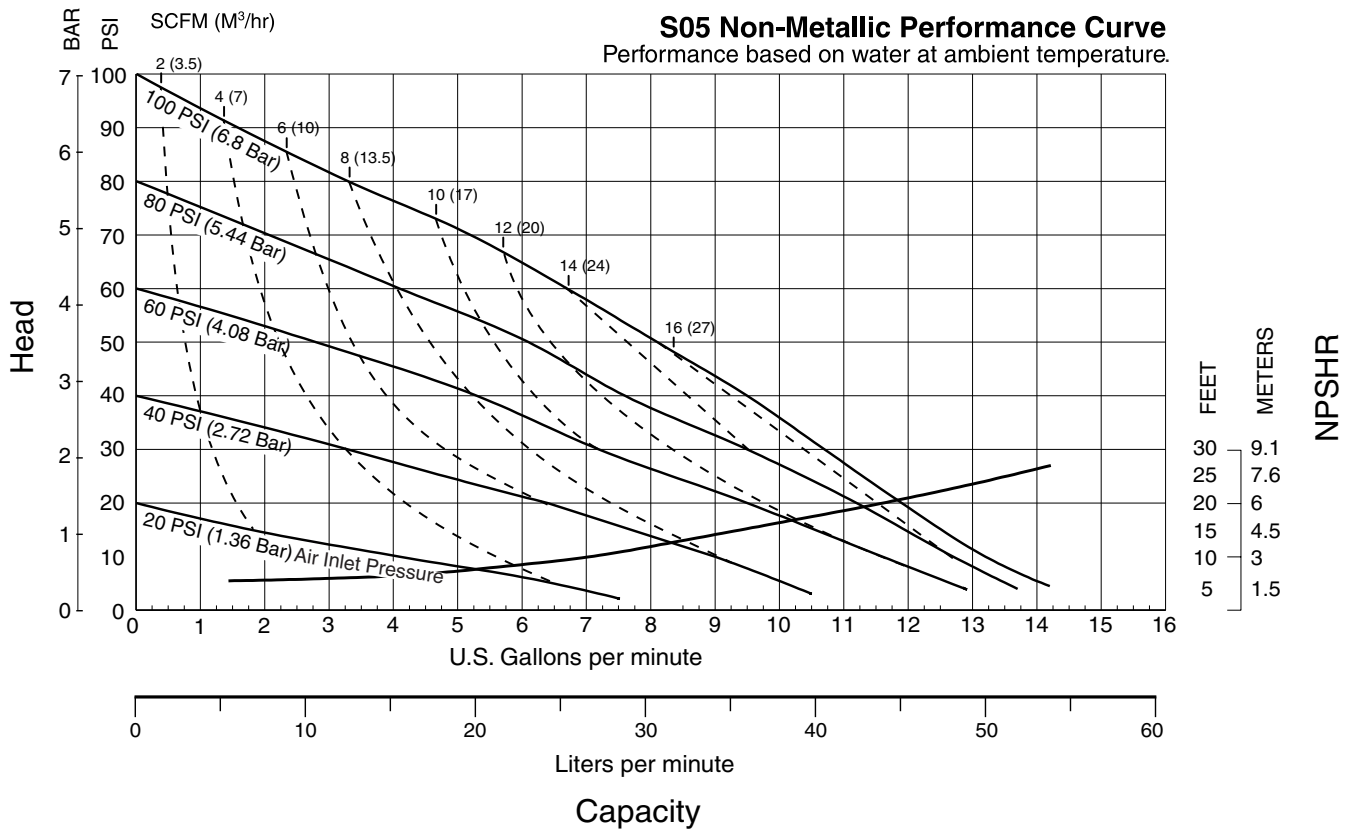
SANDPIPER®
A WARREN RUPP PUMP BRAND

S05 Non-Metallic Design Level 2 Ball Valve

**Air-Powered
Double-Diaphragm Pump**

ENGINEERING, PERFORMANCE
& CONSTRUCTION DATA

INTAKE/DISCHARGE PIPE SIZE	CAPACITY	AIR VALVE	SOLIDS-HANDLING	HEADS UP TO	DISPLACEMENT/STROKE
½" NPT (internal) or ½" BSPT (Tapered) 1" NPT (external) or 1" BSPT (Tapered)	0 to 14 gallons per minute (0 to 52 liters per minute)	No-lube, no-stall design	Up to .125 in. (3mm)	100 psi or 231 ft. of water (7 Kg/cm ² or 70 meters)	.026 Gallon / .098 liter



SANDPIPER® pumps are designed to be powered only by compressed air.

Explanation of Pump Nomenclature

S05 Non-Metallic · Design Level 2· Ball Valve

MODEL	Pump Brand	Pump Size	Check Valve Type	Design Level	Wetted Material	Diaphragm/Check Valve Materials	Check Valve Seat	Non-Wetted Material Options	Porting Options	Pump Style	Pump Options	Shipping Kit Options	Weight lbs. (kg)
S05B2P1TPNS000.	S	05	B	2	P	1	T	P	N	S	0	00.	16 (8)
S05B2P2TPNS000.	S	05	B	2	P	2	T	P	N	S	0	00.	16 (8)
S05B2PUTPNS000.	S	05	B	2	P	U	T	P	N	S	0	00.	16 (8)
S05B2K1TPNS000.	S	05	B	2	K	1	T	P	N	S	0	00.	18 (9)
S05B2K2TPNS000.	S	05	B	2	K	2	T	P	N	S	0	00.	18 (9)
S05B2K1TPNS000.	S	05	B	2	K	U	T	P	N	S	0	00.	18 (9)
S05B2N1TPNS000.	S	05	B	2	N	1	T	P	N	S	0	00.	16 (8)
S05B2N2TPNS000.	S	05	B	2	N	2	T	P	N	S	0	00.	16 (8)
S05B2NUTPNS000.	S	05	B	2	N	U	T	P	N	S	0	00.	16 (8)
S05B2G1TXNS000.	S	05	B	2	G	1	T	X	N	S	0	00.	17 (8)
S05B2G2TXNS000.	S	05	B	2	G	2	T	X	N	S	0	00.	17 (8)
S05B2GUTXNS000.	S	05	B	2	G	U	T	X	N	S	0	00.	17 (8)
S05B2P1TPNS000.	S	05	B	2	P	1	T	P	N	S	0	00.	16 (8)
S05B2P2TPNS000.	S	05	B	2	P	2	T	P	N	S	0	00.	16 (8)
S05B2PUTPNS000.	S	05	B	2	P	U	T	P	N	S	0	00.	16 (8)
S05B2K1TPNS000.	S	05	B	2	K	1	T	P	N	S	0	00.	18 (9)
S05B2K2TPNS000.	S	05	B	2	K	2	T	P	N	S	0	00.	18 (9)
S05B2KUTPNS000.	S	05	B	2	K	U	T	P	N	S	0	00.	18 (9)
S05B2N1TPNS000.	S	05	B	2	N	1	T	P	N	S	0	00.	16 (8)
S05B2N2TPNS000.	S	05	B	2	N	2	T	P	N	S	0	00.	16 (8)
S05B2NUTPNS000.	S	05	B	2	N	U	T	P	N	S	0	00.	16 (8)
S05B2G1TXNS000.	S	05	B	2	G	1	T	X	N	S	0	00.	17 (8)
S05B2G2TXNS000.	S	05	B	2	G	2	T	X	N	S	0	00.	17 (8)
S05B2GUTXNS000.	S	05	B	2	G	U	T	X	N	S	0	00.	17 (8)

Pump Brand

S=SANDPIPER®

Pump Size

05=½"

Check Valve Type

B= Ball

Design Level

2= Design Level

Wetted Material

K= PVDF
G=Conductive Acetal
N=Nylon
P= Polypropylene

Diaphragm Check Valve Materials

1= Santoprene/Santoprene
2= Virgin PTFE/Santoprene Backup/Virgin PTFE
B= Buna N
U= Polyurethane/Polyurethane

Check Valve Seat

T = Virgin PTFE

Non-Wetted Material Options

P= Polypropylene
1= Polypropylene with PTFE Coated Hardware
C=Conductive Acetal

Porting Options

N=NPT Threads
B= BSPT Threads (Tapered)
1= Dual Porting (NPT)
2= Top Dual Porting (NPT)
3= Bottom Dual Porting (NPT)
4= Dual Porting (BSPT) (Tapered)
5= Top Dual Porting (BSPT) (Tapered)
6= Bottom Dual Porting (BSPT) (Tapered)

Pump Style

S= Standard

Pump Options

0= None
1= 3M Muffler

Kit Options

00.=None
P0.=0-30VDC Pulse Output Kit
P1.=Intrinsically-Safe 10-30VDC Pulse Output Kit
P2.=110/120 or 220/240VAC Pulse Output Kit
P3.=Intrinsically-Safe 110/120VAC Pulse Output Kit
P4.=Intrinsically-Safe 220/240VAC Pulse Output Kit
E0.=Solenoid Kit with 24VDC Coil
E1.=Solenoid Kit with 24VDC Explosion-Proof Coil
E2.=Solenoid Kit with 24VDC/12VDC Coil
E3.=Solenoid Kit with 24VDC/12VDC Explosion-Proof Coil
E4.=Solenoid Kit with 110VAC Coil
E5.=Solenoid Kit with 110VAC Explosion-Proof Coil
E6.=Solenoid Kit with 220VAC Coil
E7.=Solenoid Kit with 220VAC Explosion-Proof Coil
SP.=Stroke Indicator Pins



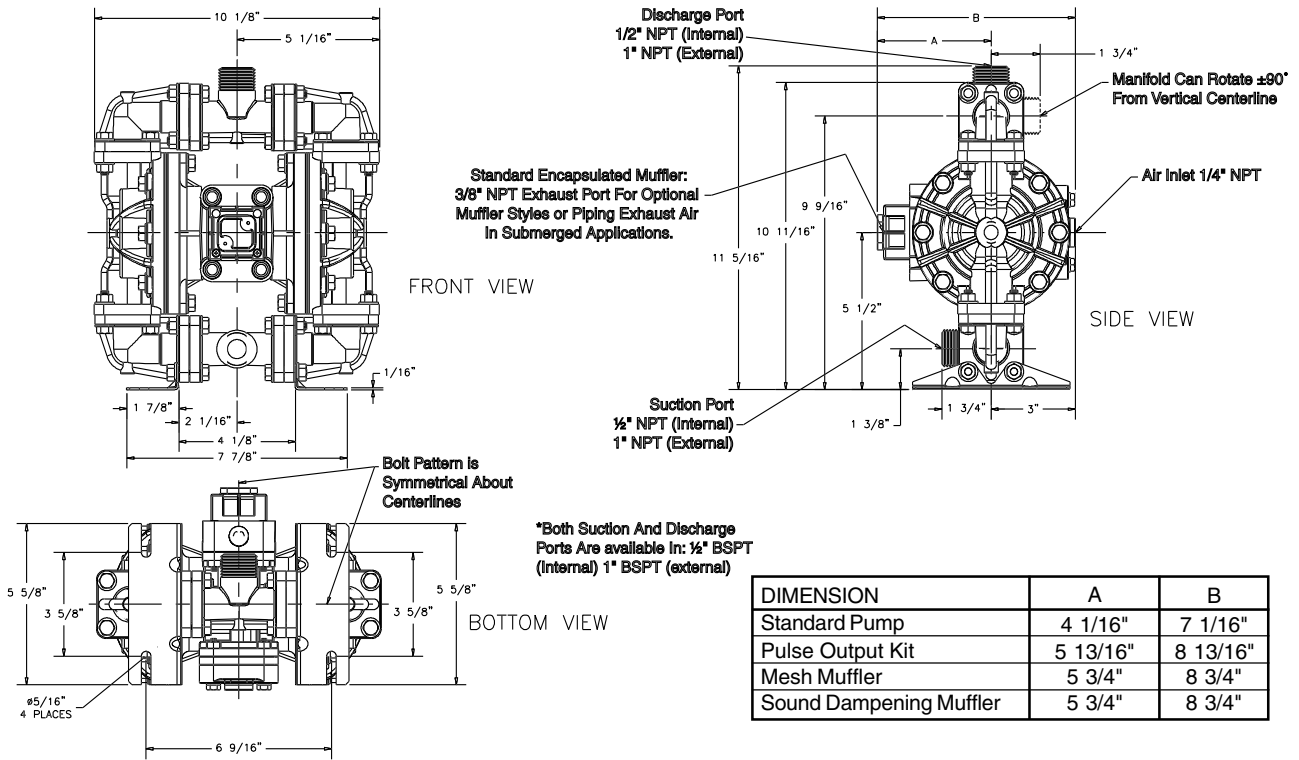
CAUTION! Operating temperature limitations are as follows:

Materials	Operating Temperatures	
	Maximum	Minimum
Buna N General purpose, oil-resistant. Shows good solvent, oil, water and hydraulic fluid resistance. Should not be used with highly polar solvents like acetone and MEK, ozone, chlorinated hydrocarbons and nitro hydrocarbons.	190°F 88°C	-10°F -23°C
UHMW PE High tensile material with excellent abrasion resistance. A general purpose material with excellent resistance to most oils.	180°F 82°C	-35°F -37°C
PVDF	250°F 121°C	0°F -18°C
Santoprene® Injection molded thermoplastic elastomer with no fabric layer. Long mechanical flex life. Excellent abrasion resistance.	275°F 135°C	-40°F -40°C
Virgin PTFE Chemically inert, virtually impervious. Very few chemicals are known to react chemically with PTFE: molten alkali metals, turbulent liquid or gaseous fluorine and a few fluoro-chemicals such as chlorine trifluoride or oxygen difluoride which readily liberate free fluorine at elevated temperatures.	220°F 104°C	-35°F -37°C
Nylon	180°F 82°C	32°F 0°C
Conductive Acetal	190°F 88°C	-20°F -29°C
Polypropylene	180°F 82°C	32°F 0°C

For specific applications, always consult The Warren Rupp "Chemical Resistance Chart"

Dimensions: S05 Non-Metallic

Dimensions in Inches
Dimensional Tolerance: $\pm 1/8"$



Dimensions in Millimeters
Dimensional Tolerance: $\pm 3\text{mm}$

